



Powered by
ncnielsen
Lithium-ION 

Electric Counterbalance Truck

EG16 - EG20

Capacity 1.6 - 2.0 t | Series 1275-02 | Linde Grey Line

Indoor Application Specialist

- The twin-motor front-wheel drive ensures maximum traction
- Perfectly suited for indoor applications due to its compact design
- Available with lead-acid battery and lithium-ion battery
- Ergonomic operator workplace with Linde Load Control

STANDARD AND OPTIONAL EQUIPMENT

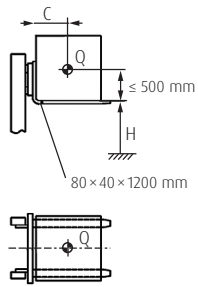
		EG 16 - EG 20
Safety	Linde Curve Assist – Automatic drive speed reduction when cornering	●
	Electrical seat belt monitoring – Visual and acoustic feedback	●
	Adaptive drive axle enlarges truck stability when mast tilting	●
	BlueSpot – Optical warning signal for pedestrians and drivers	○
	Speed limitations	○
	Flashing beacon	○
	Lightning: VertiLight	○
Digitalisation	Data Transmission Online	○
	Data Transmission Wifi	○
	Linde connect:desk – Local fleet management with different functional modules	○
	Access control via PIN or RFID	○
	Usage analysis	○
	Crash detection	○
Operation/ Load Handling	Double pedal control – Stepless acceleration and fast reversing	●
	Single pedal control – Stepless acceleration	○
	Linde Load Control – Central levers fully integrated in the armrest for precise control of all hydraulic functions	●
	Individual lever system	○
Workplace	Ergonomic and safe truck access due to a low entry step and handle bar at a-pillar	●
	Tilt-adjustable steering column	●
	Operator's seat – Mechanical quick weight adjustment with electronic belt buckle monitoring	●
	3.5" Multifunctional display	●
	Further seat options with heating and air suspension	○
	Steel doors with windows	○
	Full cabin	○
	Full cabin heating system	○
Mirrors	○	
Mast	Low-mounted tilting cylinders	●
	Optimal visibility with asymmetric, nested mast profiles on standard, duplex, triplex mast	●
	Tilt-angle sensor for smooth mast stop	●
Attach- ment/ Forks	Reinforced Linde forks – Easily adjustable and long-lasting	○
	Integrated sideshift with full lift capacity, roller guided	○
	Integrated fork positioner	○
Axles and Tyres	Linde pendula axle	●
	Super Elastic (SE) tyres	●
	Antistatic, non-marking tyres	○
Drive and Brake System	Two-motor front wheel drive	●
	Maintenance-free AC Motors	●
	Power setting efficiency, economy, performance	●
	Linde pendula axle / pivot axle	●
	Automatic parking brake	○

● Standard equipment ○ Optional equipment



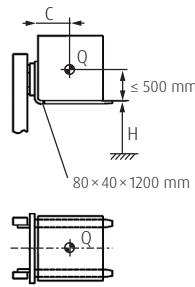
LOAD CAPACITY

EG16



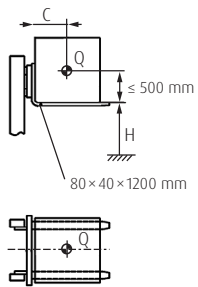
H (mm)	Q (kg)			
6000	1100	980	880	800
5800	1180	1050	950	870
5700	1220	1090	980	900
5600	1260	1130	1020	930
5500	1300	1160	1050	960
5400	1350	1200	1080	990
5300	1390	1240	1120	1020
5200	1430	1280	1150	1050
5100	1470	1310	1180	1080
5000	1510	1350	1220	1110
4900	1550	1390	1250	1140
≤ 4800	1600	1420	1290	1170
c (mm)	400 - 500	600	700	800

EG16 P



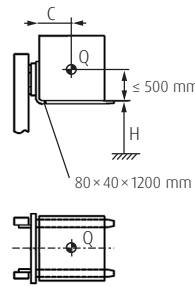
H (mm)	Q (kg)			
6000	1100	980	880	800
5800	1180	1050	950	870
5700	1220	1090	980	900
5600	1260	1130	1020	930
5500	1300	1160	1050	960
5400	1350	1200	1080	990
5300	1390	1240	1120	1020
5200	1430	1280	1150	1050
5100	1470	1310	1180	1080
5000	1510	1350	1220	1110
4900	1550	1390	1250	1140
≤ 4800	1600	1420	1290	1170
c (mm)	400 - 500	600	700	800

EG16 H



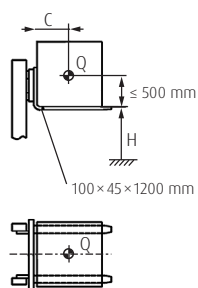
H (mm)	Q (kg)			
6000	1100	980	880	800
5800	1180	1050	950	870
5700	1220	1090	980	900
5600	1260	1130	1020	930
5500	1300	1160	1050	960
5400	1350	1200	1080	990
5300	1390	1240	1120	1020
5200	1430	1280	1150	1050
5100	1470	1310	1180	1080
5000	1510	1350	1220	1110
4900	1550	1390	1250	1140
≤ 4800	1600	1420	1290	1170
c (mm)	400 - 500	600	700	800

EG16 PH



H (mm)	Q (kg)			
6000	1100	980	880	800
5800	1180	1050	950	870
5700	1220	1090	980	900
5600	1260	1130	1020	930
5500	1300	1160	1050	960
5400	1350	1200	1080	990
5300	1390	1240	1120	1020
5200	1430	1280	1150	1050
5100	1470	1310	1180	1080
5000	1510	1350	1220	1110
4900	1550	1390	1250	1140
≤ 4800	1600	1420	1290	1170
c (mm)	400 - 500	600	700	800

EG20 PH



H (mm)	Q (kg)			
6000	1400	1250	1130	1030
5800	1500	1340	1210	1100
5700	1550	1380	1250	1140
5600	1600	1430	1290	1180
5500	1650	1470	1330	1210
5400	1700	1510	1370	1250
5300	1750	1560	1410	1290
5200	1800	1600	1450	1320
5100	1850	1650	1490	1360
5000	1900	1690	1530	1400
4900	1950	1740	1570	1430
≤ 4800	2000	1780	1610	1470
c (mm)	400 - 500	600	700	800

TECHNICAL DATA (According to VDI 2198)

Characteristics	1.1	Manufacturer		Linde	Linde	Linde	Linde	Linde
	1.2	Manufacturer's type designation		EG16	EG16H	EG16P	EG16PH	EG20PH
	1.2a	Series		1275-02	1275-02	1275-02	1275-02	1275-02
	1.3	Power unit		Battery	Battery	Battery	Battery	Battery
	1.4	Operation		Seat	Seat	Seat	Seat	Seat
	1.5	Load capacity/Load	Q (t)	1.60	1.60	1.60	1.60	2.00
	1.6	Load centre distance	c (mm)	500	500	500	500	500
	1.8	Axle centre to fork face	x (mm)	348.0	348.0	348.0	348.0	357.0
	1.9	Wheelbase	y (mm)	1356	1383	1442	1472	1472
Weights	2.1	Service weight	kg	3121 ¹⁾	3408 ¹⁾	3047 ¹⁾	3400 ¹⁾	3503 ¹⁾
	2.2	Axle load with load, front/rear	kg	4097/624 ¹⁾	4215/793 ¹⁾	4089/558 ¹⁾	4214/786 ¹⁾	4867/636 ¹⁾
	2.3	Axle load without load, front/rear	kg	1496/1625 ¹⁾	1634/1774 ¹⁾	1548/1499 ¹⁾	1692/1708 ¹⁾	1703/1800 ¹⁾
Wheels/Tyres	3.1	Tyres rubber, SE, pneumatic, polyurethane		SE	SE	SE	SE	SE
	3.2	Tyre size, front		180/70-8	180/70-8	180/70-8	180/70-8	200/50-10
	3.3	Tyre size, rear		125/75-8	125/75-8	150/75-8	150/75-8	150/75-8
	3.5	Wheels, number front/rear (x = driven)		2 X/2 -	2 X/2 -	2 X/2 -	2 X/2 -	2 X/2 -
	3.6	Track width, front	b10 (mm)	925.0	964.0	925.0	964.0	964.0
	3.7	Track width, rear	b11 (mm)	168.0	168.0	874.0	874.0	874.0
	Dimensions	4.1	Mast/fork carriage tilt, forward/backward	α/β (°)	5.70/6.0	5.70/6.50	5.70/7.50	5.70/7.50
4.2		Height of mast, lowered	h1 (mm)	2194	2192	2194	2196	2196
4.3		Free lift	h2 (mm)	150	150	150	150	150
4.4		Lift	h3 (mm)	3150	3150	3150	3150	3150
4.5		Height of mast, extended	h4 (mm)	3861	3861	3861	3861	3863
4.7		Height of overhead guard (cabin)	h6 (mm)	2018	2176	2018	2173	2173
4.8		Seat height relative to SIP/stand height	h7 (mm)	990	1150	990	1150	1150
4.12		Towing coupling height	h10 (mm)	529	614	563	644	645
4.19		Overall length	l1 (mm)	2793	2820	2899	2931	2977
4.20		Length to fork face	l2 (mm)	1893	1920	1999	2031	2077
4.21		Overall width	b1/b2 (mm)	1083	1158	1083	1158	1158
4.22		Fork dimensions DIN ISO 2331	s/e/l (mm)	40 × 80 × 900	40 × 80 × 900	40 × 80 × 900	40 × 80 × 900	45 × 100 × 900
4.23		Fork carriage to ISO 2328, class/type A, B		2A	2A	2A	2A	2A
4.24		Width of fork carriage	b3 (mm)	980	980	980	980	980
4.31		Ground clearance, below mast	m1 (mm)	95	95	90	90	90
4.32		Ground clearance, centre of wheelbase	m2 (mm)	110	110	105	105	105
4.34.1		Aisle width for pallets 1000 × 1200 crossways	Ast (mm)	3224 ²⁾	3253 ²⁾	3421 ²⁾	3493 ²⁾	3502 ²⁾
4.34.2		Aisle width with pallet 800 × 1200 along forks	Ast (mm)	3347 ²⁾	3376 ²⁾	3618 ²⁾	3693 ²⁾	3702 ²⁾
4.35		Turning radius	Wa (mm)	1548	1577	1870	1945	1945
4.36		Minimum pivoting point distance	b13 (mm)	0	0	514	598	598
Performance	5.1	Travel speed, with/without load	km/h	15.80/15.80	15.00/15.00	15.80/15.80	15.80/15.80	15.80/15.80
	5.2	Lifting speed, with/without load	m/s	0.44/0.57	0.44/0.57	0.44/0.57	0.44/0.57	0.37/0.57
	5.3	Lowering speed, with/without load	m/s	0.54/0.54	0.54/0.54	0.54/0.54	0.54/0.54	0.54/0.54
	5.5	Tractive force, with/without load	N	2900/3400	4400/4500	3400/3400	4400/4500	3000/3300
	5.6	Maximum tractive force, with/without load	N	11000/7300	10700/8900	11000/8400	12300/11100	9500/10000
	5.7	Climbing ability, with/without load	%	6.10/10.80	8.90/13.40	7.30/11.10	8.90/13.40	6.00/8.60
	5.8	Maximum climbing ability, with/without load	%	21.70/21.40	19.70/24.40	22.10/25.80	23.20/31.80	15.50/27.30
	5.9	Acceleration time, with/without load	s	6.00/5.90	6.80/6.50	6.30/6.20	6.20/6.30	6.30/5.90
	5.10	Service brake		mech./elect.	mech./elect.	mech./elect.	mech./elect.	mech./elect.
	Drive	6.1	Drive motor rating S2 60 min	kW	2X4	2X4	2X4	2X4
6.2		Lift motor rating at S3 15%	kW	8.5	8.5	8.5	8.5	8.5
6.3		Battery compliant with DIN 43531/35/36 A, B, C, no		43531 A	43531 A	43531 A	43531 A	43531 A
6.4		Battery voltage /rated capacity (5 h)	(V)/(Ah)	48/575	48/700	48/575	48/700	48/700
6.5		Battery weight (±5%)	kg	856	1118	856	1118	1118
6.6		Energy consumption compliant with DIN EN 16796	kWh/h	4.2	4.4	4.5	4.7	5.1
6.6.1		CO ₂ equivalent compliant with EN 16796	kg/h	2.3	2.4	2.4	2.5	2.8
Others	10.1	Operating pressure for attachments	bar	200	200	200	200	250
	10.2	Oil flow for attachments	l/min	20	20	20	20	20
	10.7	Sound pressure level LpAZ (at the driver's seat)	dB (A)	<67.7	<67.7	<67.7	<67.7	<67.7
	10.8	Towing coupling, design/type, DIN 15 170		similar to form H	similar to form H	similar to form H	similar to form H	similar to form H

1) Figures with battery, see line 6.4/6.5.

2) Including a 200 mm (min.) operating aisle clearance.

MAST TABLES

STANDARD MAST (in mm)

Series	1511					
Lift	h3: 2800	h3: 3150	h3: 3050	h3: 3550	h3: 3850	h3: 4250
Height measurements	h1: 2021 h2: 150 h4: 3410	h1: 2196 h2: 150 h4: 3760	h1: 2146 h2: 150 h4: 3660	h1: 2396 h2: 150 h4: 4160	h1: 2546 h2: 150 h4: 4460	h1: 2746 h2: 150 h4: 4860
Model						
EG16	<input type="radio"/>	<input type="radio"/>	<input type="radio"/>	<input type="radio"/>	<input type="radio"/>	<input type="radio"/>
EG16P	<input type="radio"/>	<input type="radio"/>	<input type="radio"/>	<input type="radio"/>	<input type="radio"/>	<input type="radio"/>
EG16H	<input type="radio"/>	<input type="radio"/>	<input type="radio"/>	<input type="radio"/>	<input type="radio"/>	<input type="radio"/>
EG16PH	<input type="radio"/>	<input type="radio"/>	<input type="radio"/>	<input type="radio"/>	<input type="radio"/>	<input type="radio"/>
EG20PH	<input type="radio"/>	<input type="radio"/>	<input type="radio"/>	<input type="radio"/>	<input type="radio"/>	<input type="radio"/>

DUPLEX MAST (in mm)

Series	1511					
Lift	h3: 2795	h3: 3145	h3: 3345	h3: 3545	h3: 3845	h3: 4145
Height measurements	h1: 1946 h2: 1343 h4: 3405	h1: 2121 h2: 1518 h4: 3755	h1: 2221 h2: 1618 h4: 3955	h1: 2321 h2: 1718 h4: 4155	h1: 2471 h2: 1868 h4: 4455	h1: 2621 h2: 2018 h4: 4755
Model						
EG16	<input type="radio"/>	<input type="radio"/>	<input type="radio"/>	<input type="radio"/>	<input type="radio"/>	<input type="radio"/>
EG16P	<input type="radio"/>	<input type="radio"/>	<input type="radio"/>	<input type="radio"/>	<input type="radio"/>	<input type="radio"/>
EG16H	<input type="radio"/>	<input type="radio"/>	<input type="radio"/>	<input type="radio"/>	<input type="radio"/>	<input type="radio"/>
EG16PH	<input type="radio"/>	<input type="radio"/>	<input type="radio"/>	<input type="radio"/>	<input type="radio"/>	<input type="radio"/>
EG20PH	<input type="radio"/>	<input type="radio"/>	<input type="radio"/>	<input type="radio"/>	<input type="radio"/>	<input type="radio"/>

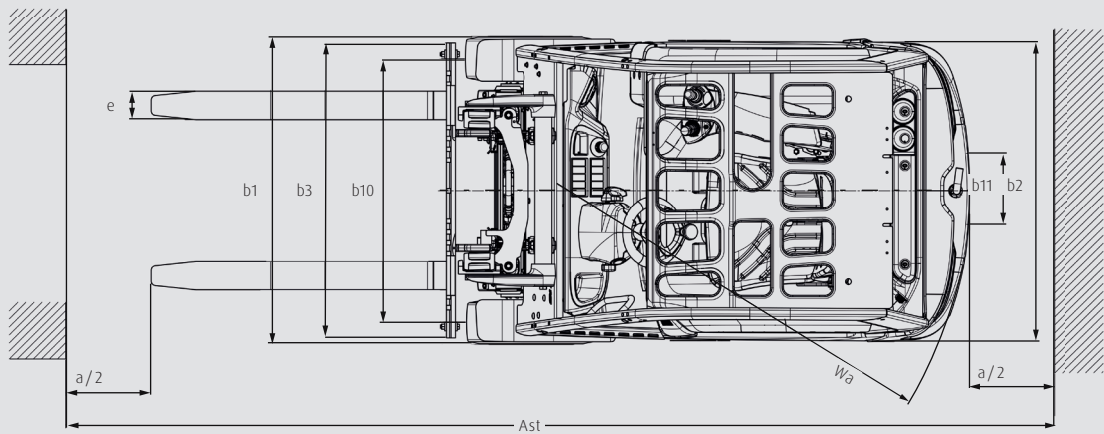
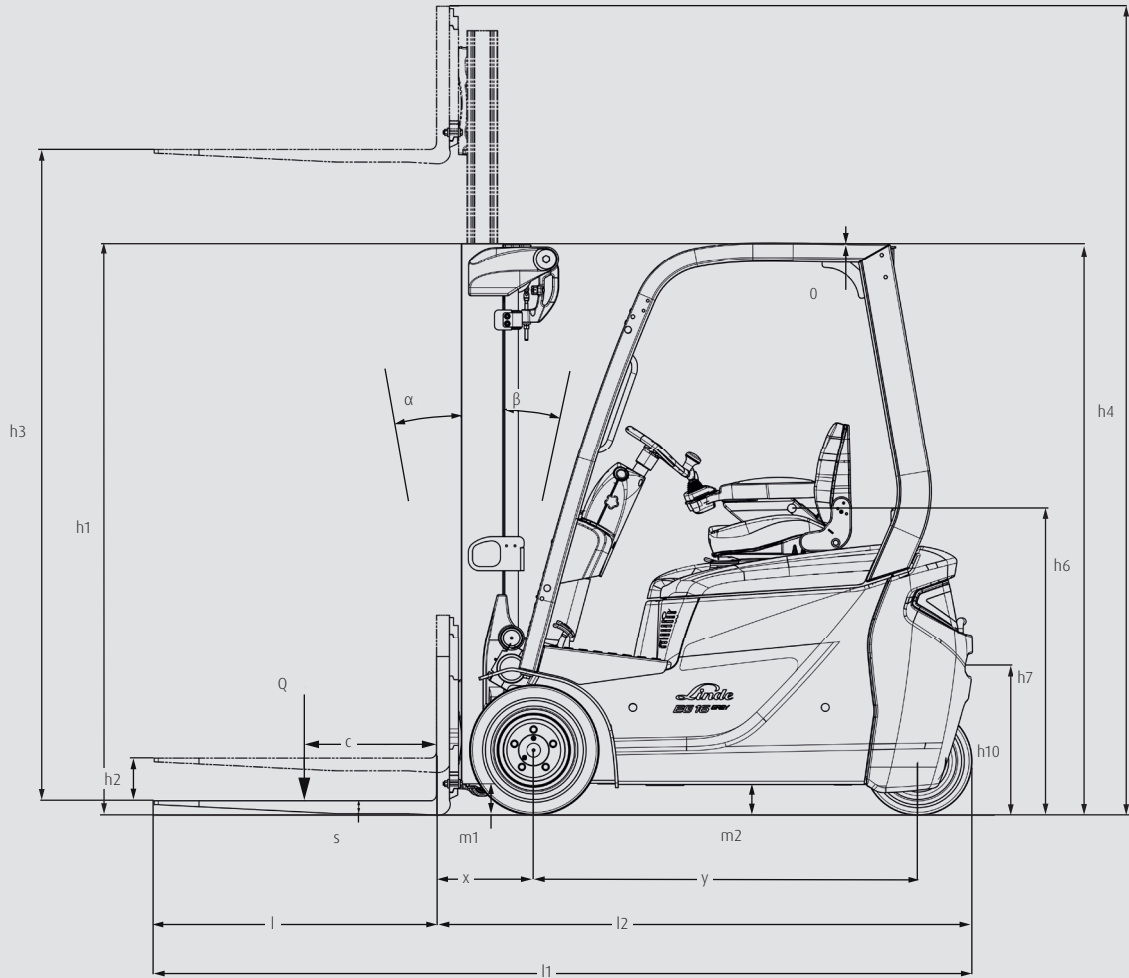
TRIPLEX MAST (in mm)

Series	1511					
Lift	h3: 4100	h3: 4175	h3: 4625	h3: 4925	h3: 5225	h3: 5475
Height measurements	h1: 1946 h2: 1343 h4: 4710	h1: 1971 h2: 1368 h4: 4785	h1: 2121 h2: 1519 h4: 5235	h1: 2221 h2: 1619 h4: 5535	h1: 2321 h2: 1719 h4: 5835	h1: 2471 h2: 1869 h4: 6085
Model						
EG16	<input type="radio"/>	<input type="radio"/>	<input type="radio"/>	<input type="radio"/>	<input type="radio"/>	<input type="radio"/>
EG16P	<input type="radio"/>	<input type="radio"/>	<input type="radio"/>	<input type="radio"/>	<input type="radio"/>	<input type="radio"/>
EG16H	<input type="radio"/>	<input type="radio"/>	<input type="radio"/>	<input type="radio"/>	<input type="radio"/>	<input type="radio"/>
EG16PH	<input type="radio"/>	<input type="radio"/>	<input type="radio"/>	<input type="radio"/>	<input type="radio"/>	<input type="radio"/>
EG20PH	<input type="radio"/>	<input type="radio"/>	<input type="radio"/>	<input type="radio"/>	<input type="radio"/>	<input type="radio"/>

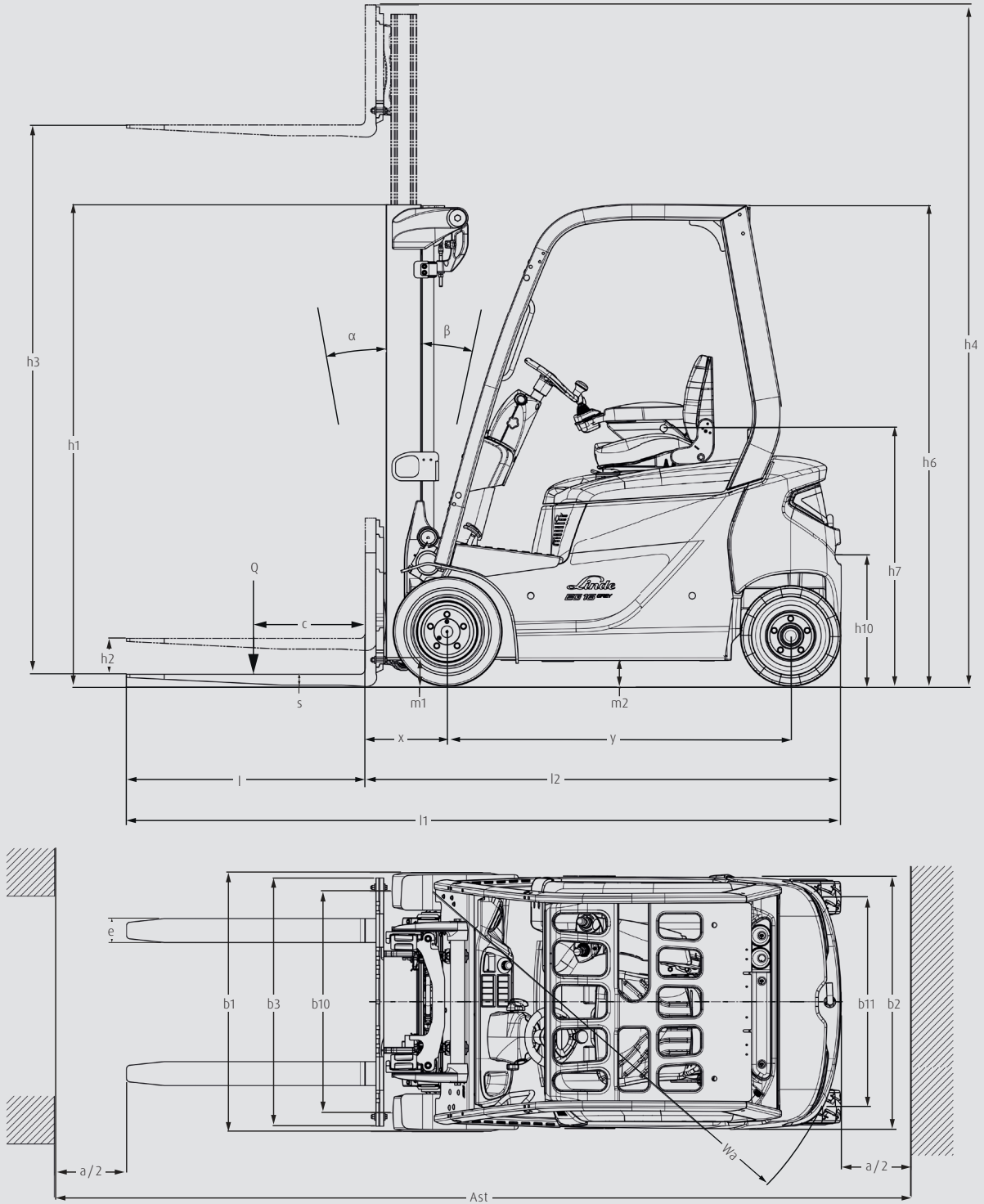
Series	1511		
Lift	h3: 6075	h3: 6475	h3: 6625
Height measurements	h1: 2671 h2: 2069 h4: 6685	h1: 2821 h2: 2219 h4: 7085	h1: 2871 h2: 2269 h4: 7235
Model			
EG16	<input type="radio"/>	<input type="radio"/>	<input type="radio"/>
EG16P	<input type="radio"/>	<input type="radio"/>	<input type="radio"/>
EG16H	<input type="radio"/>	<input type="radio"/>	<input type="radio"/>
EG16PH	<input type="radio"/>	<input type="radio"/>	<input type="radio"/>
EG20PH	<input type="radio"/>	<input type="radio"/>	<input type="radio"/>

Optional equipment

3-WHEEL



4-WHEEL



CHARACTERISTICS



Driver's workplace

Ergonomics

- Spacious driver's cab and ergonomic seat ensure fatigue-free working
- Optimal view of both the load and the surroundings
- Linde Load Control ensures safe and accurate load handling with maximum efficiency
- Adjustable steering column and various storage compartments



Linde pivot axle

Handling

- The twin-motor front-wheel drive ensures maximum traction
- Compact design facilitates manoeuvrability in confined areas
- Choice of lead-acid or lithium-ion battery
- Wireless access to driver data allows data analysis and connection to logistics, safety and fleet management systems



Clear mast view

Safety

- Chassis, A-pillar and mast provide the driver with optimal visibility of the load and surroundings
- The truck's low centre of gravity reduces the risk of tipping
- Linde Curve Assist reduces speed according to the steering angle when cornering
- Optional automatic parking brake



Easy service access

Service

- Easy access to main components
- Driver display shows all important truck information to the driver
- Easy and quick access to battery thanks to 180°-openable battery door and battery hood
- Service intervals of 3,000 h or 3 years with hydraulic oil and filter change

Subject to modification in the interest of progress. Illustrations and technical details could include optional equipment and are not binding for actual constructions. All dimensions subject to usual tolerances.



ncnielsen

Nørregade 66, DK-7860 Balling | Tlf.: +45 99 83 83 83
nc-nielsen.dk | info@nc-nielsen.dk